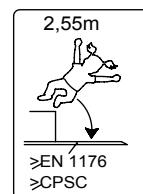


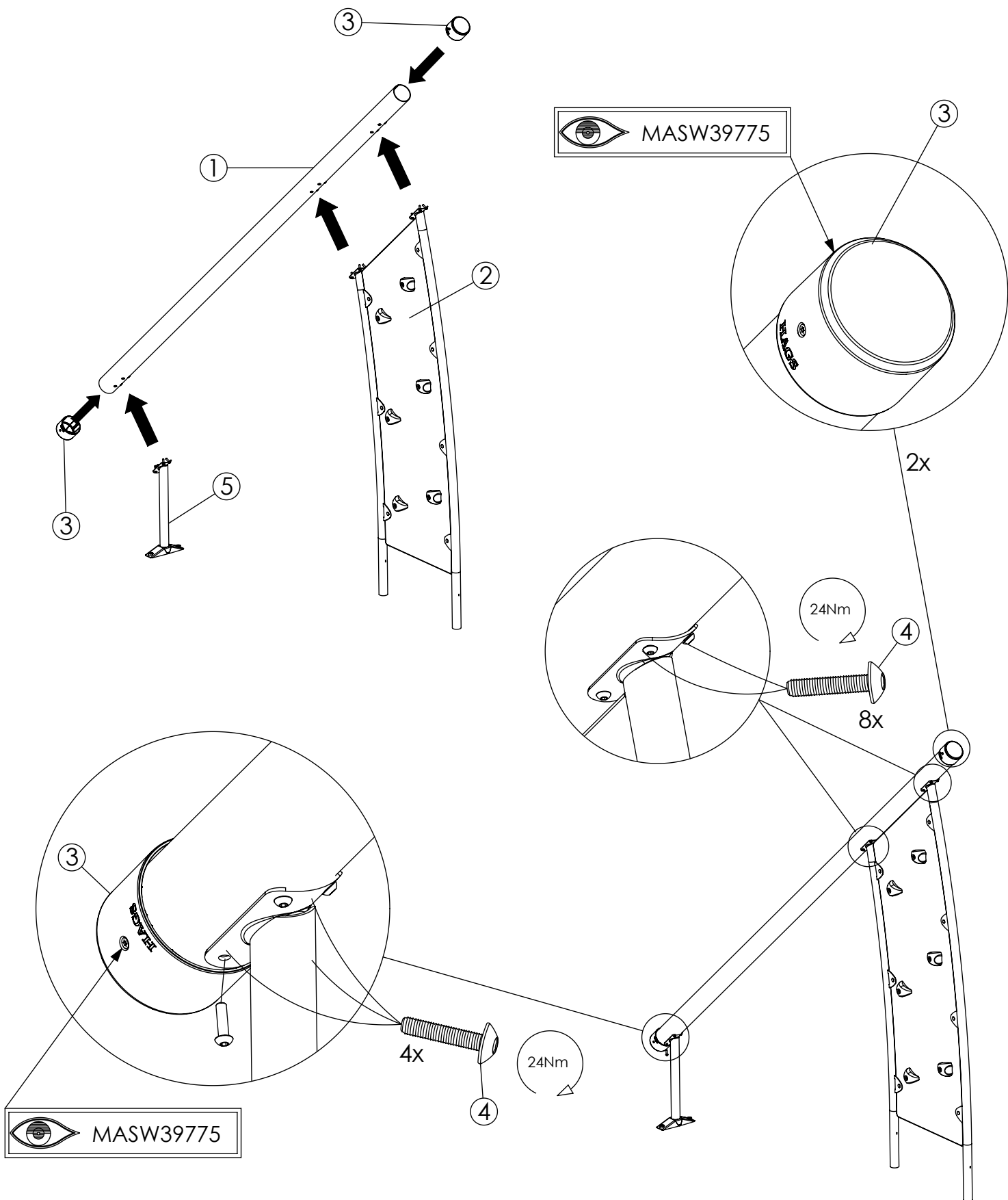
Description MA	Item Number	Qty
Net	41070110	1
Ø108x3930 mm	8063132	1
Ø108 x 2950 mm	8063094	1
Climbing wall 2522x990	8063095	1
1588x52 mm	41070113	1
Ø51x571 mm	8063029	1
Ø108 L=2800	44102816	1
Cover M6, Ø16x8 mm	8005971	28
M6S M6x20 mm	8008330	14
SCH 40x17 mm	8008965	14
Cap M6, Ø26x14 mm	8005970	28
Post Cap Ø112x90	8052081	2
Screw, ISO7380-1-M8x30-10.9	8008445	16
Screw, thr-forming M8x25-8.8-(ISO7380)	8008506	14
1000x121x21 mm	610072-03	1
620x121x21 mm	8013165	3
Screw, ISO4017-M10x30-8.8	8008373	2
Cage nut M10 3,3-4,1	8008817	6
Ø52x394	8009638	2
Ø52x8 mm	261486	2
Screw, ISO4017-M10x20-8.8	8008367	4
Washer, Bolt cap 9x18x2-ISO4759-3-C	8008849	8
Screw, ISO4017-M8x25-8.8	8008344	4
Nut, Fujilok-M8-8-RingA2	8008795	4



HAGS ANEBY, SWEDEN
+46(0)380-47300
www.hags.com

Twisted net for steel post S
MASW57254
1 (5)

HSG ToB 2017-04-02 1

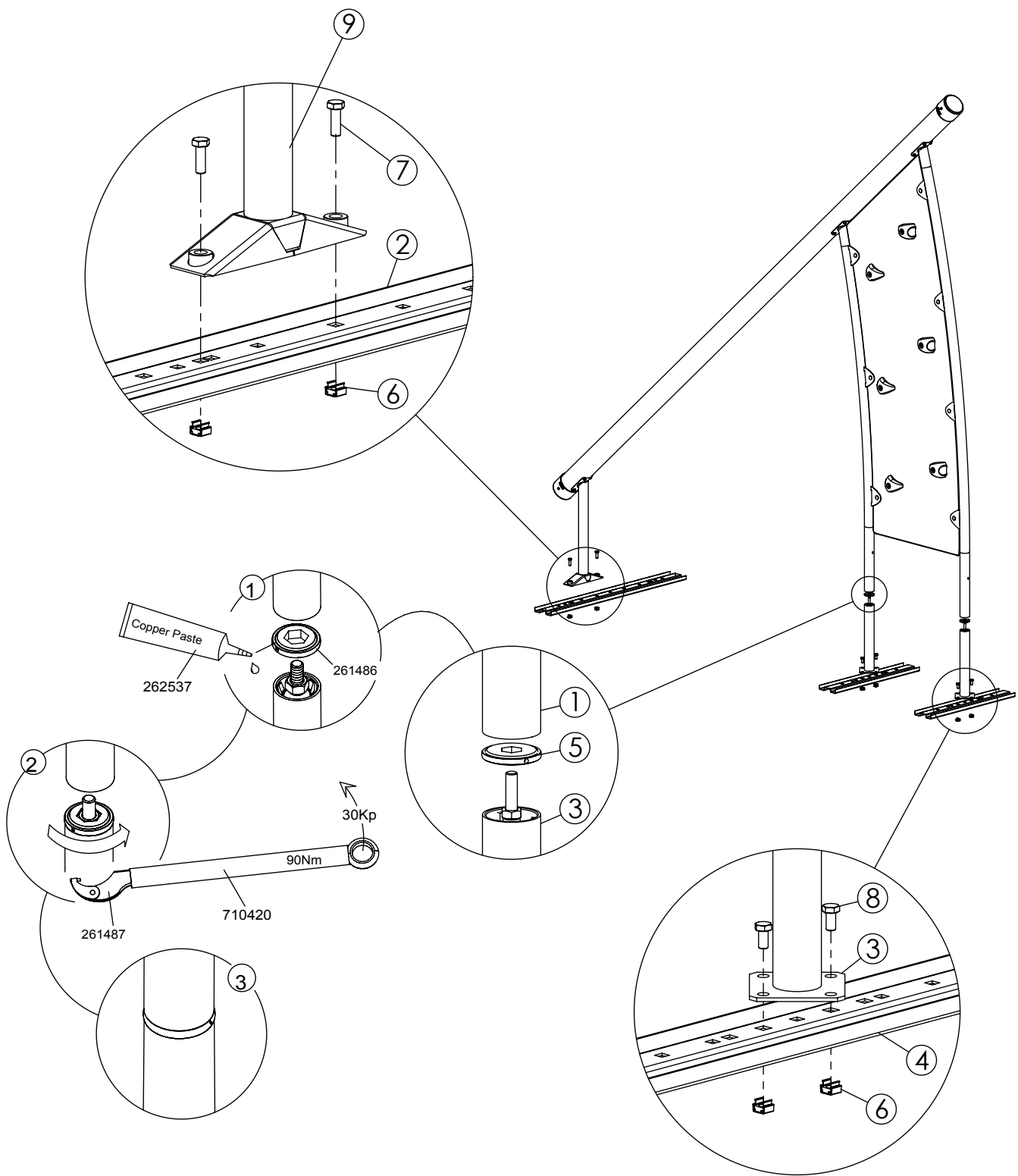


NR.	Description MA	Item Number	Qty
1	Ø108x3930 mm	8063132	1
2	Climbing wall 2522x990	8063095	1
3	Post Cap Ø112x90	8052081	2
4	Screw, ISO7380-1-M8x30-10.9	8008445	12
5	Ø51x571 mm	8063029	1

HAGS ANEBY, SWEDEN
+46(0)380-47300
www.hags.com

Twisted net for steel post S
MASW57254
2 (5)

HSG ToB 2017-04-02 1

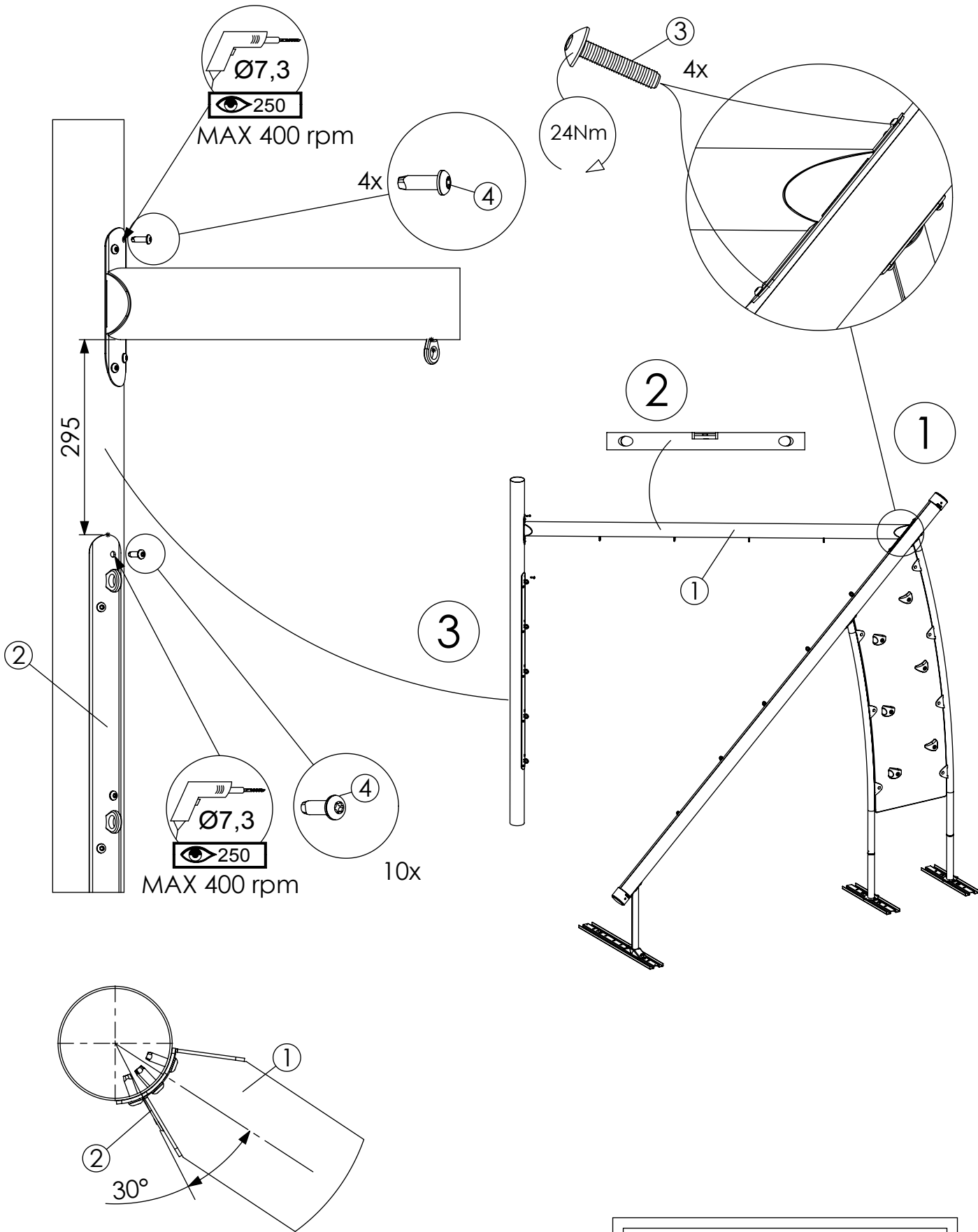


NR.	Description MA	Item Number	Qty
1	Climbing wall 2522x990	8063095	1
2	1000x121x21 mm	610072-03	1
3	Ø52x394	8009638	2
4	620x121x21 mm	8013165	2
5	Ø52x8 mm	261486	2
6	Cage nut M10 3,3-4,1	8008817	6
7	Screw, ISO4017-M10x30-8.8	8008373	2
8	Screw, ISO4017-M10x20-8.8	8008367	4
9	Ø51x571 mm	8063029	1

HAGS ANEBY, SWEDEN
+46(0)380-47300
www.hags.com

Twisted net for steel post S
MASW57254
3 (5)

HSG  ToB 2017-04-02 1

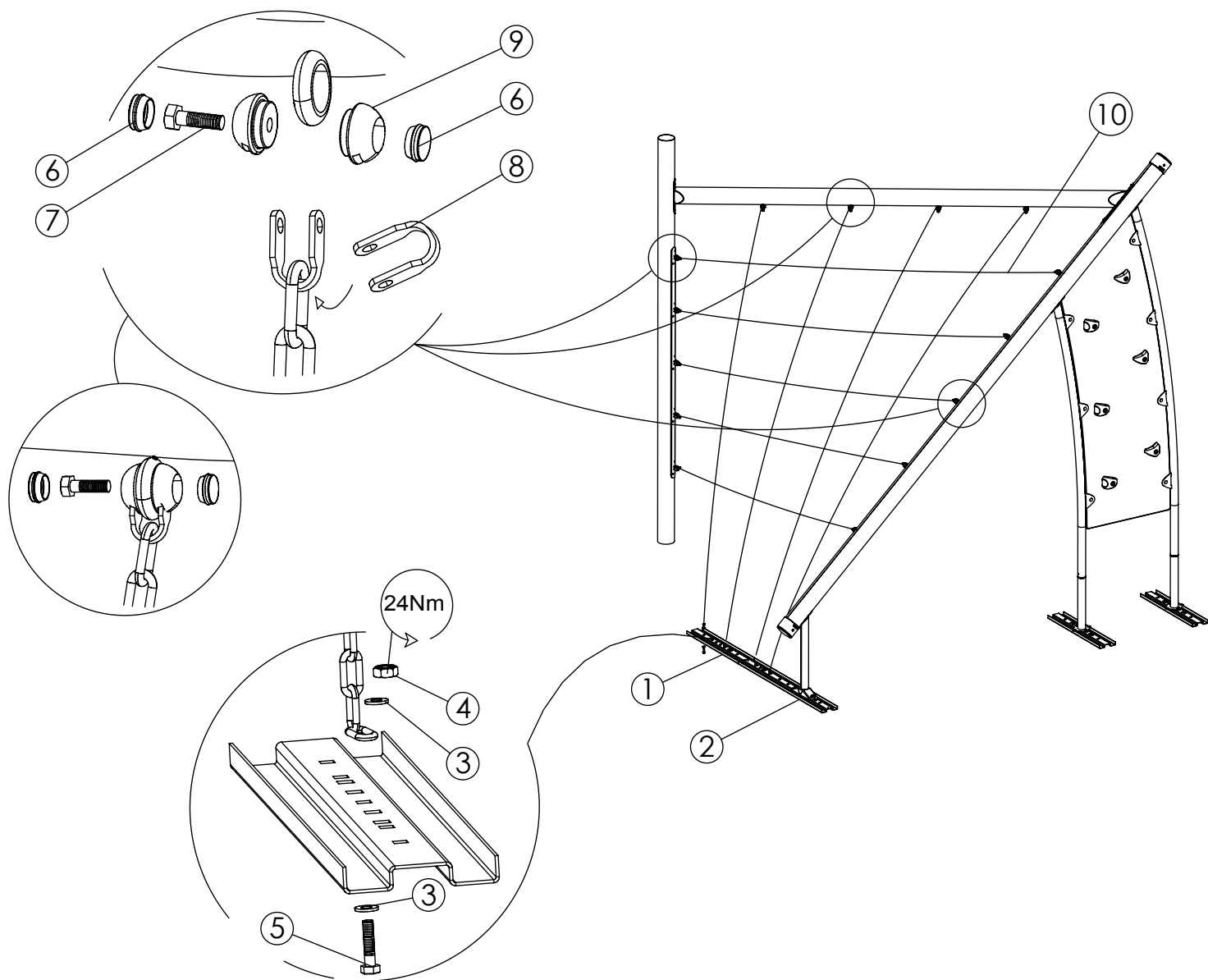


NR.	Description MA	Item Number	Qty
1	Ø108 x 2950 mm	8063094	1
2	1588x52 mm	41070113	1
3	Screw, ISO7380-1-M8x30-10.9	8008445	4
4	Screw, thr-forming M8x25-8.8-(ISO7380)	8008506	14

HAGS ANEBY, SWEDEN
+46(0)380-47300
www.hags.com

Twisted net for steel post S
MASW57254
4 (5)

HSG ToB 2017-04-02 1



NR.	Description MA	Item Number	Qty
1	620x121x21 mm	8013165	3
2	1000x121x21 mm	610072-03	1
3	Washer, Bolt cap 9x18x2-ISO4759-3-C	8008849	8
4	Nut, Fujilok-M8-8-RingA2	8008795	4
5	Screw, ISO4017-M8x25-8.8	8008344	4
6	Cover M6, Ø16x8 mm	8005971	28
7	M6S M6x20 mm	8008330	14
8	SCH 40x17 mm	8008965	14
9	Cap M6, Ø26x14 mm	8005970	28
10	Net	41070110	1

HAGS ANEBY, SWEDEN
+46(0)380-47300
www.hags.com

Twisted net for steel
post S
MASW57254
5 (5)